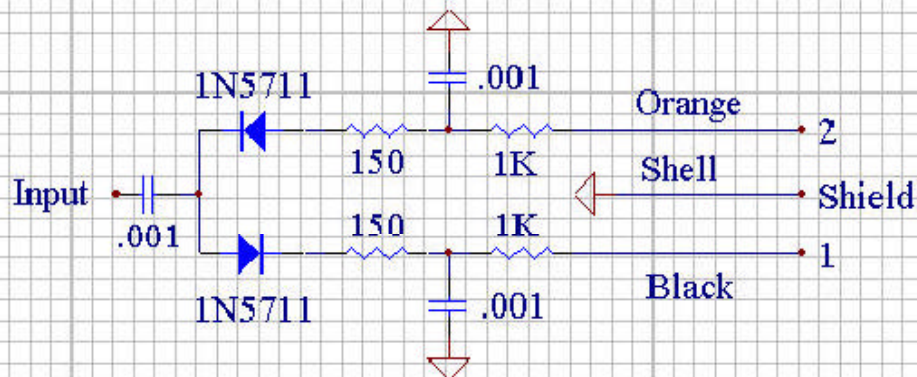


**From:** "NANCY GIANAKOPOULOS" <n.gianakopoulos@worldnet.att.net>  
**News groups:** rec.radio.amateur.homebrew  
**Sent:** Thursday, August 31, 2000 5:27 AM  
**Attach:** Boonton.gif  
**Subject:** Boonton probe

To all of those who I sent a copy of the Boonton probe schematic, here is the corrected one. I had the bottom diode reversed (mistake).

Pete Gianakopoulos  
Chicago, Il.



Each leg of the balanced output of this probe connects to small diameter coaxial cable. The two shields are connected together to ground.